

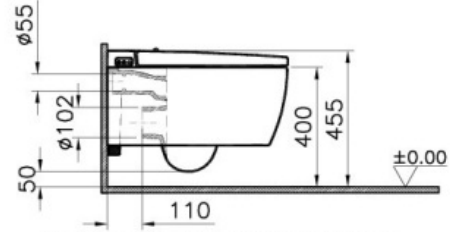
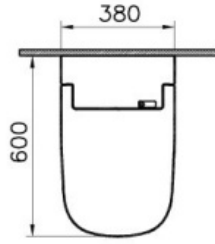
Description Metropole V-Care Smart WC Pan

Code 5674B003-6104

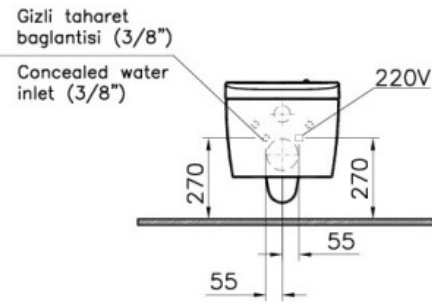
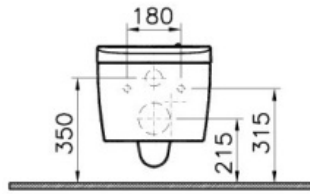
VitrAclean No

Free Assembly Yes

Colour White



*Duvar kalınlığına göre ilave boru gerekebilir.
*Additional pipe may be required due to wall thickness
*Ein zusätzliches Ablaufrohr ist je nach Wandstärke erforderlich



Gizli taharet
baglantisi (3/8")

Concealed water
inlet (3/8")

220V